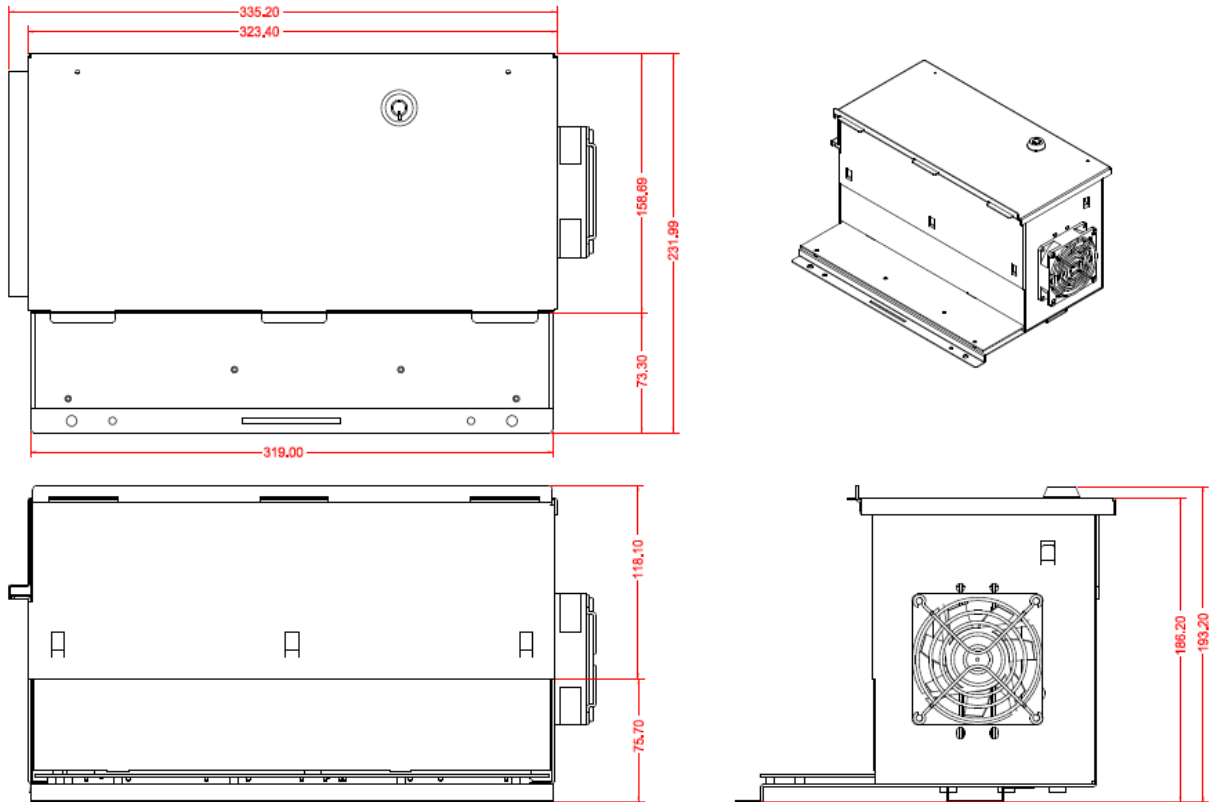


# **DLV Gaming Platform**

# 1 Logic Box Requirements

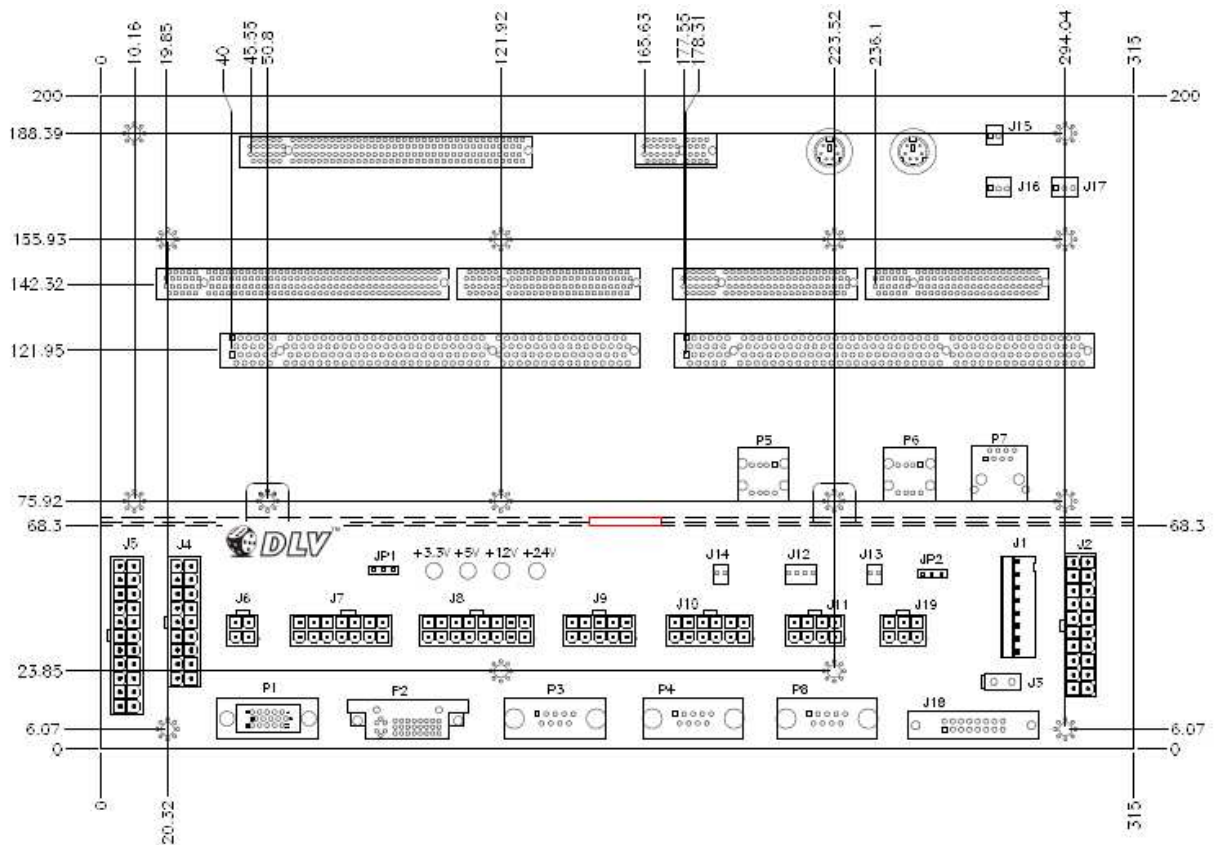
## 1.1 Dimensions



## 2 Backplane Requirements

### 2.1 Connectors and Jumpers

#### 2.1.1 Locations



#### 2.1.2 Reference

Port	Reference	Connector	Manufacturer	Part Number
Primary VGA	P1	VGA Vertical Mount		
Secondary DVI	P2	DVI Vertical Mount		
Touch Screen	P3	DB9 Vertical Mount, Male		
Ticket Printer	P4	DB9 Vertical Mount, Male		
USB1/2	P5	USB-A Vertical Mount		
USB3/4	P6	USB-A Vertical Mount		
LAN	P7	LAN Vertical Mount		
SAS	P8	DB9 Vertical Mount, Male		

AT Power	J1	Vertical, Pitch Spox 3,96mm	MOLEX	09-65-2088
ATX Power	J2	Mini-Fit Jr. Vertical	MOLEX	5566-20A-2
+24V Power	J3	Mini-Fit Jr. Vertical	MOLEX	5566-02A-2
Buttons and Lamps 1	J4	Mini-Fit Jr. Vertical	MOLEX	5566-18A-2
Buttons and Lamps 2	J5	Mini-Fit Jr. Vertical	MOLEX	5566-22A-2
Audio Output	J6	Mini-Fit Jr. Vertical	MOLEX	5566-04A-2
Coin Acceptor	J7	Mini-Fit Jr. Vertical	MOLEX	5566-14A-2
Coin Hopper	J8	Mini-Fit Jr. Vertical	MOLEX	5566-16A-2
Hardware Meters	J9	Mini-Fit Jr. Vertical	MOLEX	5566-10A-2
Key and Door Switches	J10	Mini-Fit Jr. Vertical	MOLEX	5566-12A-2
Bill Acceptor	J11	Mini-Fit Jr. Vertical	MOLEX	5566-08A-2
ccTalk Bus	J12	KK, Vertical	MOLEX	35300-0450
iButton	J13	KK, Vertical	MOLEX	35300-0250
Front Panel Connector	J14	KK, Vertical	MOLEX	35300-0550
Logic Box Intrusion Switch	J15	KK, Vertical	MOLEX	35300-0250
Fan 1	J16	KK, Vertical	MOLEX	35300-0350
Fan 2	J17	KK, Vertical	MOLEX	35300-0350
JCM EBA ID- 003	J18		YIMTEK	324-1615
Tower Lamps	J19	Mini-Fit Jr. Vertical	MOLEX	5566-06A-2
Coin Acceptor Inhibit Mode	JP1			
Bill Acceptor RS232/TTL Mode	JP2			
DIP Switches	SW1	TBD		

### 2.1.3 J1 – AT Power Connector

Pin	Function
1	+12V
2	+12V
3	GROUND
4	GROUND
5	+5V
6	+5V
7	+24V
8	+24V

### 2.1.4 J2 – ATX Power Connector

Standard ATX connector with or without +24V is required.

### 2.1.5 J3 – +24V Power Connector

Pin	Function	Pin	Function
1	+24V	2	+24V

### 2.1.6 J4 – Buttons and Lamps 1 Connector

Pin	Function	Pin	Function
1	+12V	10	+12V
2	BUTTON PAYOUT	11	LAMP PAYOUT
3	BUTTON HELP	12	LAMP HELP
4	BUTTON HOLD 1	13	LAMP HOLD 1
5	BUTTON HOLD 2	14	LAMP HOLD 2
6	BUTTON HOLD 3	15	LAMP HOLD 3
7	BUTTON HOLD 4	16	LAMP HOLD 4
8	BUTTON HOLD 5	17	LAMP HOLD 5
9	GROUND	18	GROUND

### 2.1.7 J5 – Buttons and Lamps 2 Connector

Pin	Function	Pin	Function
1	+12V	12	+12V
2	BUTTON BET	13	LAMP BET
3		14	
4		15	
5		16	
6		17	
7	BUTTON MAX BET	18	LAMP MAX BET
8	BUTTON START	19	LAMP START
9	BUTTON AUTOSTART	20	LAMP AUTOSTART
10	BUTTON CALL ATTENDANT	21	LAMP CALL ATTENDANT
11	GROUND	22	GROUND

### 2.1.8 J6 – Audio Output Connector

Pin	Function	Pin	Function
-----	----------	-----	----------

1	SPEAKER LEFT+	3	SPEAKER LEFT-
2	SPEAKER RIGHT+	4	SPEAKER RIGHT-

### 2.1.9 J7 – Coin Acceptor Connector

Pin	Function	Pin	Function
1	+12V	8	+12V
2	COIN IN A	9	COIN IN F
3	COIN IN B	10	COIN COMMON INHIBIT
4	COIN IN C	11	COIN TILT
5	COIN IN D	12	NC
6	COIN IN E	13	NC
7	GROUND	14	GROUND

### 2.1.10 J8 – Coin Hopper Connector

Pin	Function	Pin	Function
1	+12V	9	+12V
2	+24V	10	+24V
3	HOPPER FULL	11	DIVERTER
4	HOPPER EMPTY	12	NC
5	HOPPER COIN OUT	13	NC
6	HOPPER PRESENT	14	NC
7	HOPPER MOTOR	15	NC
8	GROUND	16	GROUND

### 2.1.11 J9 – Hardware Meters Connector

Pin	Function	Pin	Function
1	+12V	6	+12V
2	CREDITS WAGERED	7	BILL IN
3	CREDITS WON	8	COIN DROP
4	GAMES PLAYED	9	HANDPAY
5	GROUND	10	GROUND

### 2.1.12 J10 – Key and Door Switches Connector

Pin	Function	Pin	Function
1	+12V	7	+12V
2	DOOR SWITCH MAIN	8	DOOR SWITCH BILL BOX
3	DOOR SWITCH BELLY DOOR	9	NC
4	KEY OWNER	10	KEY RENTIER
5	KEY CASHIER	11	KEY CROUPIER

6	GROUND	12	GROUND
---	--------	----	--------

### 2.1.13 J11 – Bill Acceptor Connector

Pin	Function	Pin	Function
1	+12V	5	+12V
2	+24V	6	+24V
3	RX	7	TX
4	GROUND	8	GROUND

### 2.1.14 J12 – ccTalk Bus Connector

Pin	Function
1	+12V
2	DATA
3	UNUSED
4	GROUND

### 2.1.15 J13 – iButton Connector

Pin	Function
1	DATA
2	GROUND

### 2.1.16 J14 – Front Panel Connector

Pin	Function
1	TEST BUTTON
2	GROUND

### 2.1.17 J15 – Logic Box Intrusion Switch

Pin	Function
1	DOOR SWITCH LOGIC BOX
2	GROUND

### 2.1.18 J16, J17 – Fan 1, 2 Connector

Standard fan connector with speed control is required.

### 2.1.19 J18 – JCM EBA ID-003

Used in parallel with Bill Acceptor Connector (J11)

Pin	Function	Pin	Function
1	+12V	2	GROUND
3	+12V	4	GROUND
5	RXD	6	GROUND
7	TXD	8	GROUND
9	NC	10	NC
11	NC	12	NC
13	NC	14	NC
15	NC	16	NC

### 2.1.20 J19 – Tower Light Connector

Pin	Function	Pin	Function
1	+12V	4	+12V
2	TOWER LIGHT RED	5	TOWER LIGHT GREEN
3	TOWER LIGHT YELLOW	6	NC

### 2.1.21 JP1 – Coin Acceptor Inhibit Mode Jumper

Pin	Function
1	HIGH
2	GND
3	LOW

Default connection is (1+2)

### 2.1.22 JP2 – Bill Acceptor RS232/TTL Mode Jumper

Jumper on the backplane to switch Bill Acceptor mode from TTL to RS-232.

Pin	Function
1	TTL
2	GND
3	RS-232

Default connection is (1+2)